



Magnet or DIN rail mounting

Energy-saving lamp

Integrated receptacle

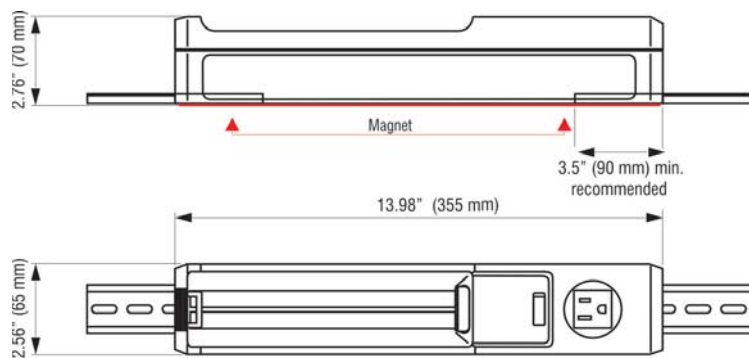
On/off switch

The compact KL 025 light was designed for use in industrial enclosures and control cabinets. A strong magnet allows simple and quick installation and flexibility for various mounting positions. The light also features an optional integrated receptacle so that electrical devices can easily be plugged in when needed.



Technical Data

Power consumption	see table below
Luminosity	900 Lm
Lamp type	compact fluorescent, G23 base, inductive ballast
Service life	5,000 hrs.
Switch	on/off switch (for light only)
Connection	3-pole terminal AWG 14 max. (2.5mm ²) with strain relief only (cable not included), clamping torque 0.8Nm max.
Housing	plastic, light grey
Mounting	magnet mounting or on 35mm DIN rail, EN 60 715
Operating temperature	-4 to +122°F (-20 to +50°C)
Storage temperature	-49 to +158°F (-45 to +70°C)
Dimensions	13.98 x 2.56 x 2.76" (355 x 65 x 70mm)
Weight	approx. 2.2 lbs (1.0kg)
Protection type	IP20



Drawing shows mounting on two 7 inch long pieces of 35mm DIN rail.

Part No.	Operating Voltage	Receptacle	Power consumption	Receptacle Max. Current	Protection class	Approvals
02500.0-14	230VAC, 50Hz	Germany	11W (~ 75W incandescent bulb)	16A	I (grounded)	VDE
02500.0-21	120VAC, 60Hz	none	9W (~ 60W incandescent bulb)	-	II (double insulated)	-
02505.9-02	120VAC, 60Hz	USA/Canada	9W (~ 60W incandescent bulb)	15A	I (grounded)	-

Specifications are subject to change without notice. Suitability of this product for its intended use and any associated risks must be determined by the end customer/ buyer in its final application.